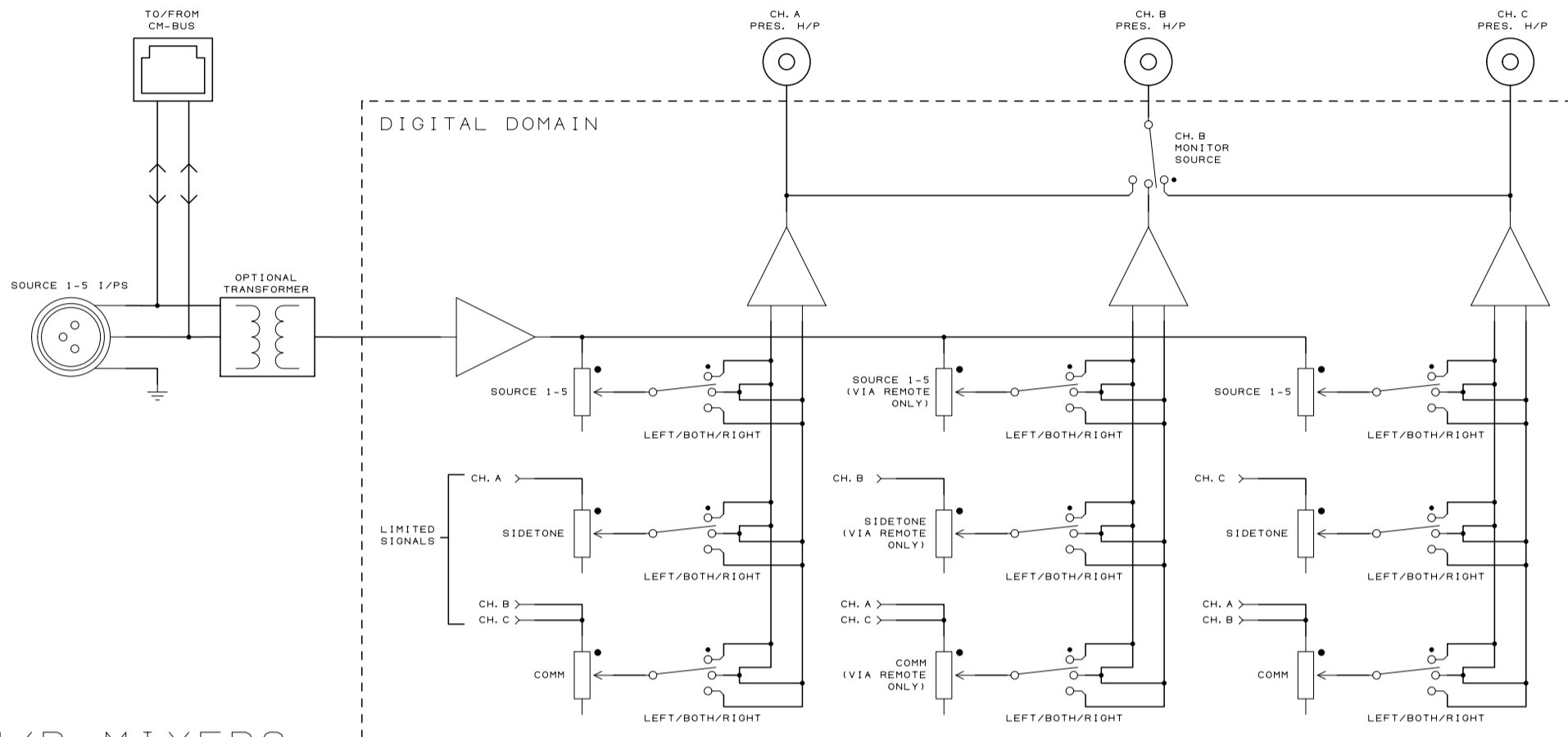
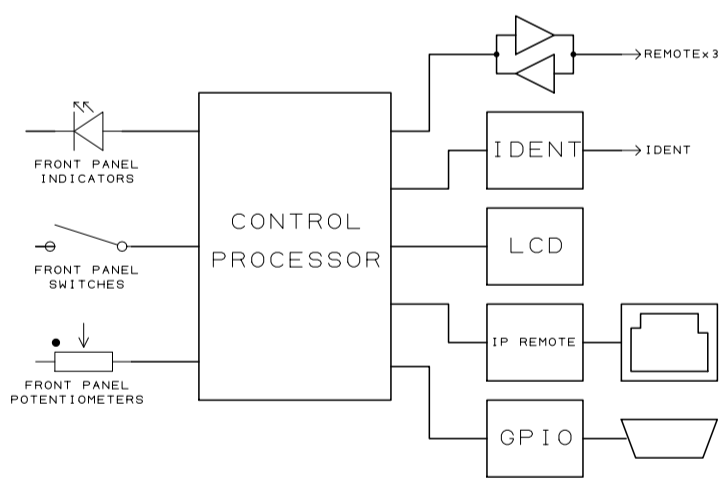


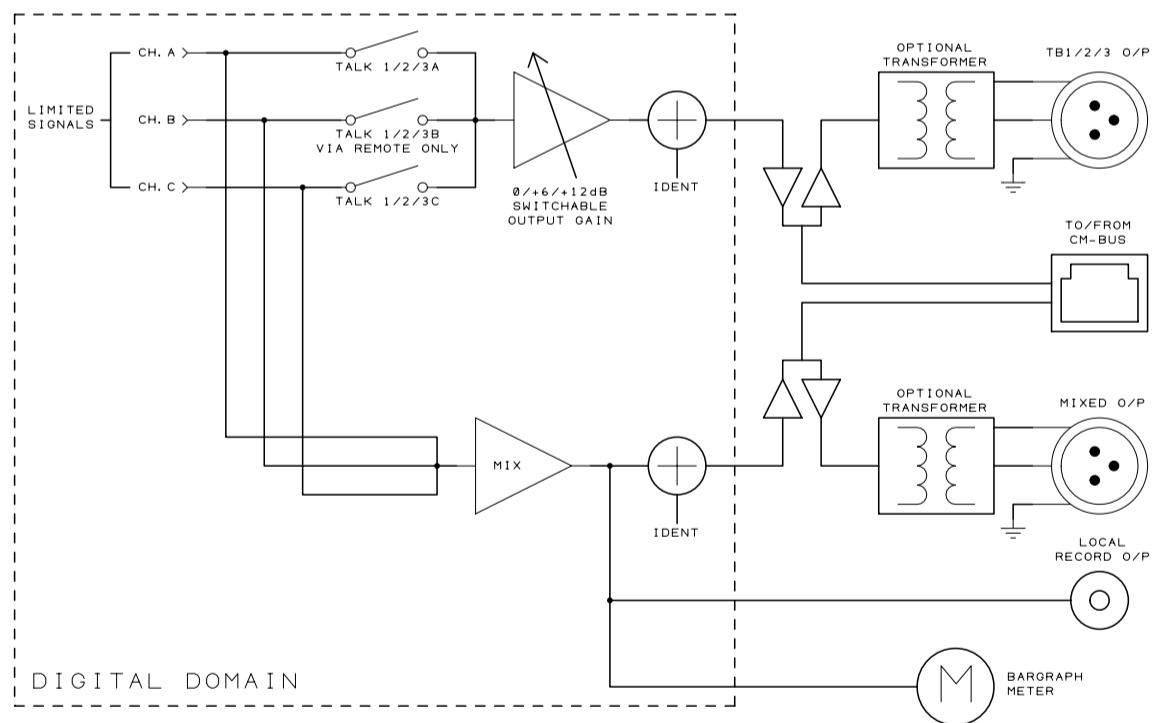
CHANNEL I/O (ONE CHANNEL SHOWN, OTHERS IDENTICAL)



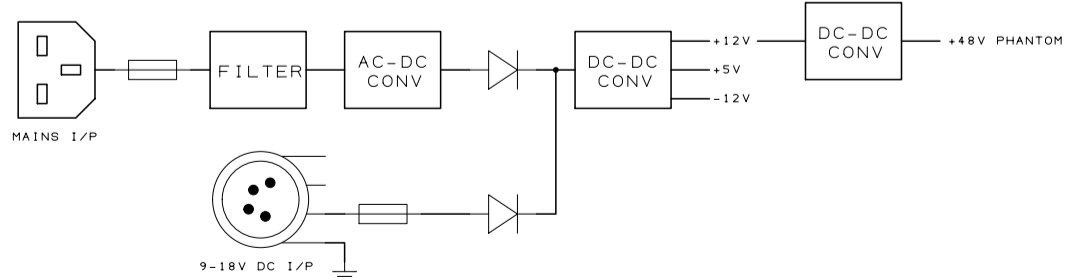
H/P MIXERS



CONTROL



MIXED & TB OUTPUTS



POWER SUPPLY

ISSUE	1
DATE	23/9/11
DRAWN	SJL

(c) GLENSOUND	
SUBJECT	TALENT BOX COMMENTATOR UNIT
DRG. REF.	TALENT BOX BLOCK DIAGRAM

GLENSOUND ELECTRONICS LTD.